

- 6 cm/px – 10 cm/px resolution options
- 95% light efficiency with Balanced High Voltage technology
- 48VDC power input
- End-to-end connection without wiring infrastructure
- Homogeneous and vivid colors in every pixel with TrueColor technology
- Lock & Light system with IP67-rated connections for durability in harsh conditions
- Fully sealed encapsulated structure
- High UV resistance
- Slim design
- 16 million color options
- Ultra-lightweight body

## P W Product and Power Options

Product Name	Light Color	Input Voltage (V)	Power (W)	LED Quantity LED/M (T)	Pixel Count	Length (L) (mm)
C-LINE-18-SCRN	RGB	48VDC	8,4	60	10 cm/px	1205
C-LINE-18-SCRN	RGB	48VDC	10,8	80	6 cm/px	1205

## C Light Color Options



## G Body Color Options

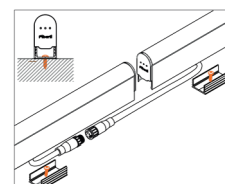


## U Upper Cover Options

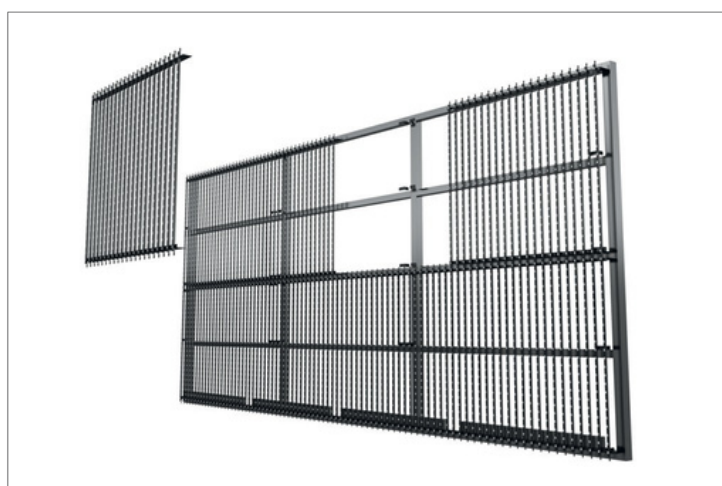


With out Cover (N/C)

## M Mounting Options



## Modular Screen Structure



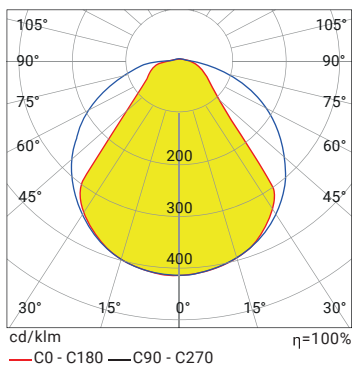
Order Code

P . W . C . G . U . M



## Product Diagrams

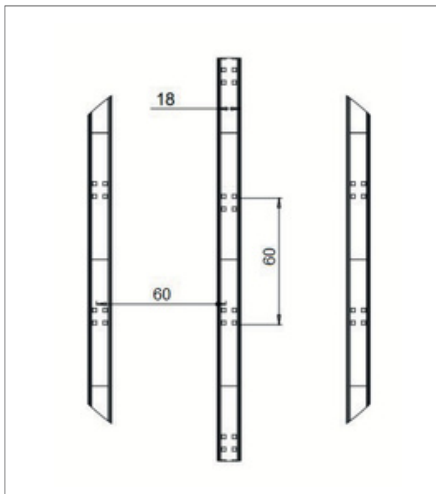
### Polar Diagram



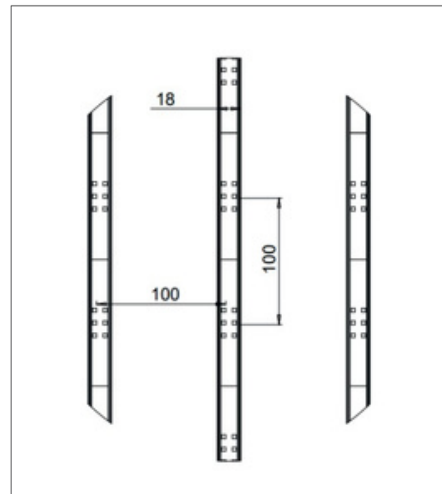
## Control System Options

	Renk Tipi	PWM	DMX
RGB			

## Pixel Distance



6 cm/px



10 cm/px

